

# Enjoy Cooking?

Now enjoy  
cleaning too.

Faber dishwashers with 3D oil clean technology makes  
it easier for you to clean the dishes.  
So, savour all kinds of recipes without a worry.

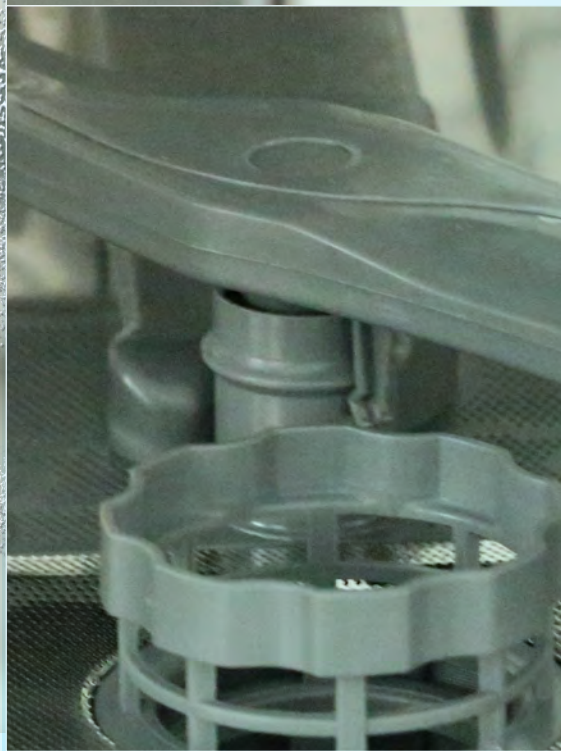
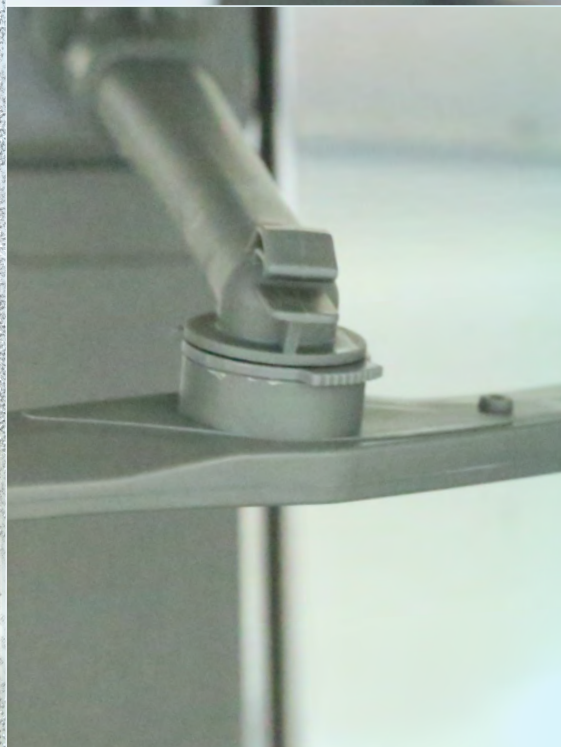
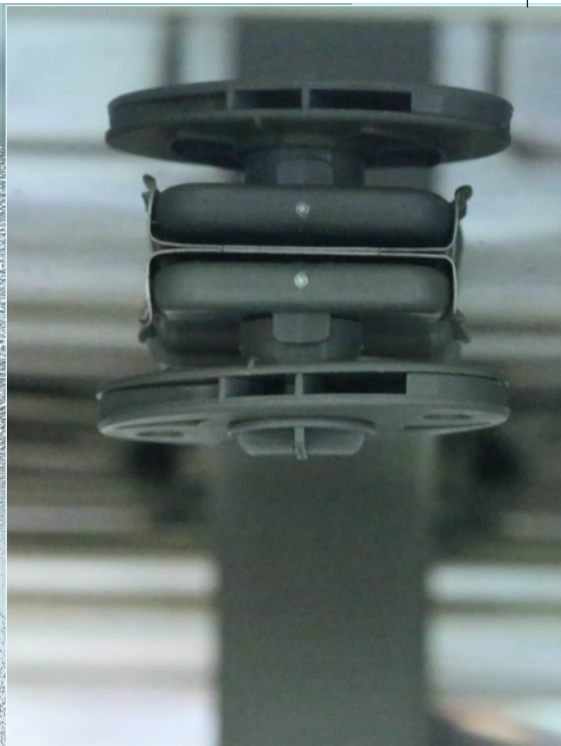
**We've got the dishes covered for you.**





## 3D Wash Technology

The breakthrough innovative of 3D wash technology uses three spray arms to maximize water spray to all corners of the dishwasher and saves up to 15% time. Exceptional cleaning result in a faster and quieter way.



# Other Unique Feature

## Zone Wash

Upper, lower or both, zone wash provides targeted cleaning in the selected wash zone, so no more waiting to get a full dishwasher load to run a cycle.



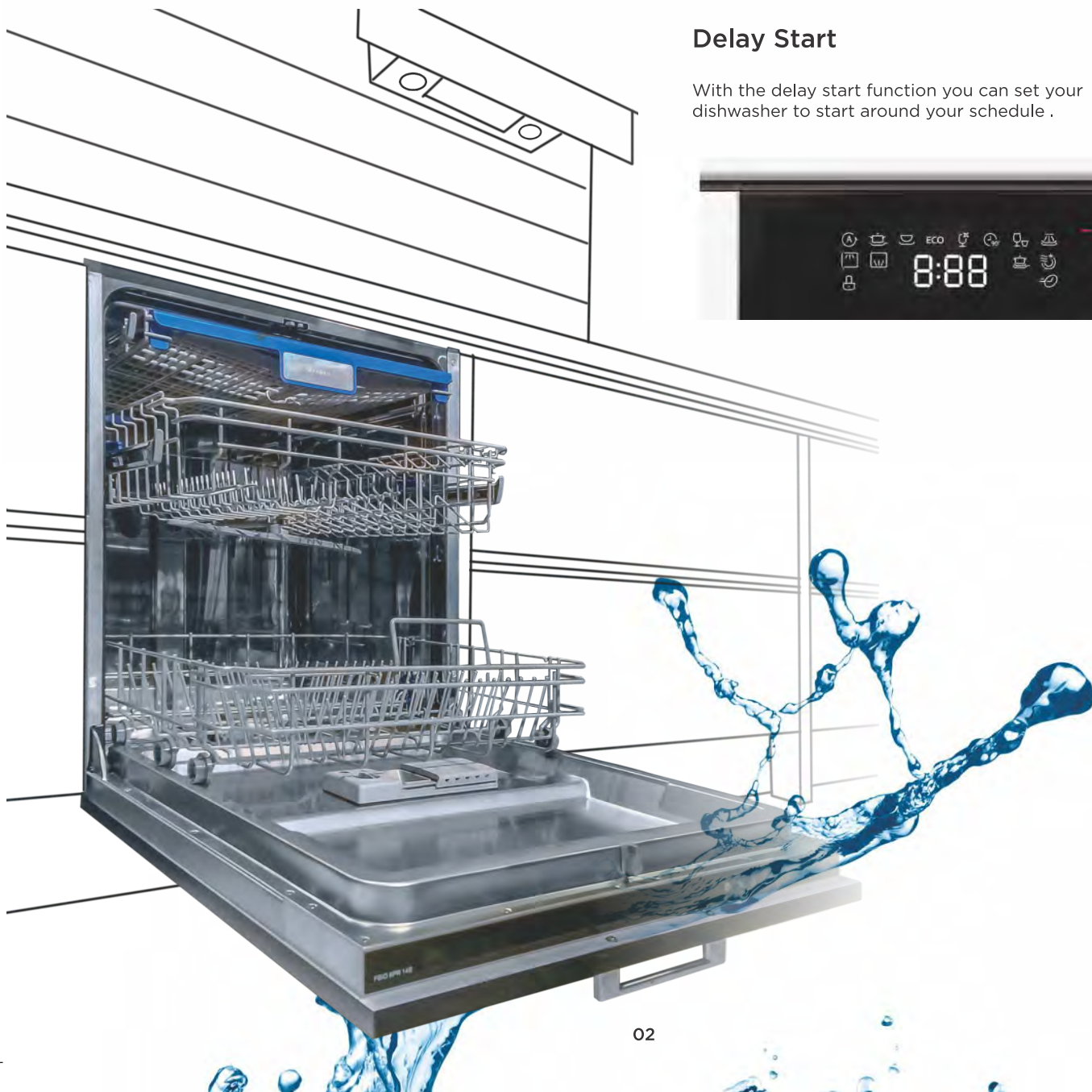
## Half Load

Less resource consumption with half load option. No longer need to wait for a fully loaded dishwasher to start a cycle.



## Delay Start

With the delay start function you can set your dishwasher to start around your schedule.



# Other Unique Feature

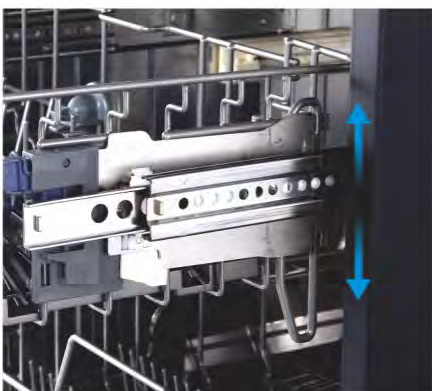
## Infinite Plus Cutlery Drawer

Our new cutlery drawer is more flexible and safer than ever. Not only slidable to provide extra space for tall utensils in the middle rack but now also foldable. The moving part of the tray can now be lowered for offering extra room for coffee mugs, egg beater, etc, while providing easy access to silverware.



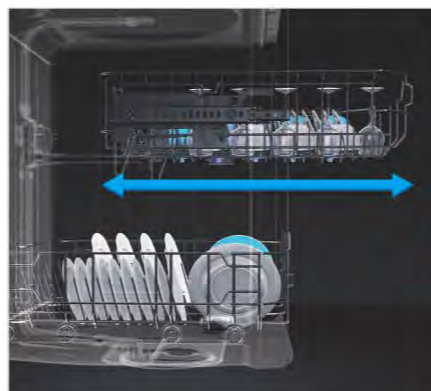
## Height-adjustable Basket

More room can be created with the height-adjustable upper basket to accommodate tall stemware in upper basket or extra large bakeware in lower basket.



## Soft Close Baskets

Smooth, quiet, and secure close of the basket with the soft close feature, so no more banging and knocking of the baskets on the tub.



## Glide Rail

The ball bearing basket slides are designed for smooth glide in and out of the baskets with loads as heavy as 9 kg. With just simple push or pull the baskets can easily move in the way you want.





# DISHWASHER: 60CM FULLY-INTEGRATED



## FBID 8PR 14S

FUN Code: 117.0534.675



### FEATURES:

- 14 Place capacity
- SS Finish Panel
- Dual Zone Wash
- Height adjustable upper basket (after loaded) and foldable Racks
- Multifunction Three-Layer Cutlery Basket
- Power Memory
- Auto Wash
- Extra Drying
- Electronic Touch control
- LED Display
- Natural Drying
- 1-24hours Delay
- Salt and rinse aid indicators
- Electronic Aqua Stop

### SPECIFICATION:

- A++/A/A (energy, cleaning, drying)
- 8 Washing Programs: Intensive, Normal, Eco, 90min, Glass, Rapid, Soak (Pre-Wash) and Auto Wash
- Product Dimension (H\*W\*D mm): 815\*598\*550



Capacity  
(Place Settings)



Third Layer  
(Cutlery Basket)



Delay Start



Auto Wash



Dualzone Wash



Noise Level



Extra Drying



Super Drying



Energy Save



### Washing Programs:



Intensive



Normal



Eco



90 min



Glass



Rapid



Soak



Auto

### Options:



Extra Drying



COMPREHENSIVE



RUST THROUGH

\*Terms & Conditions apply

\*Please refer to the warranty card for further details.

**FSID 8PR 14S**

FUN Code: 117.0534.676

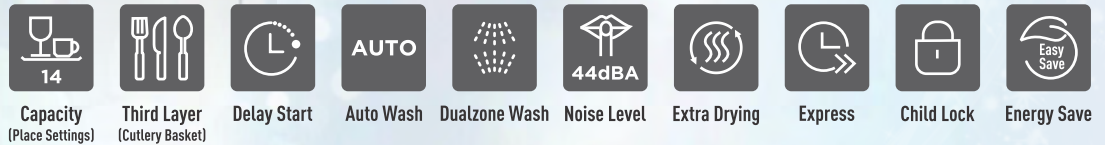


**FEATURES:**

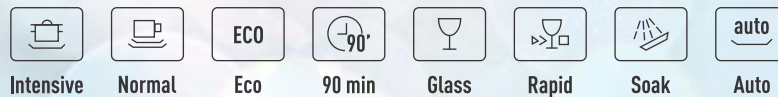
- 14 Place capacity
- SS Finish
- Dual Zone Wash
- Height adjustable upper basket (after loaded) and foldable Racks
- Multifunction 3rd Layer Cutlery Basket
- Power Memory
- Child safety Lock
- Power wash/Extra drying/Express
- LED Display
- Natural Drying
- 1-24 hours Delay
- Electronic Push button control
- Salt and rinse aid indicators
- Electronic Aqua Stop

**SPECIFICATION:**

- A+++/A/A (energy, cleaning, drying)
- 8 Washing Programs: Intensive, Normal, Eco, 90min, Glass, Rapid, Soak (Pre-Wash) and Auto Wash
- Product Dimension (H\*W\*D mm): 845\*598\*600



**Washing Programs:**



**Options:**



**COMPREHENSIVE RUST THROUGH**

\*Terms & Conditions apply  
\*Please refer to the warranty card for further details.

**FFSD 8PR 14S BK**

FUN Code: 117.0608.168



**FEATURES:**

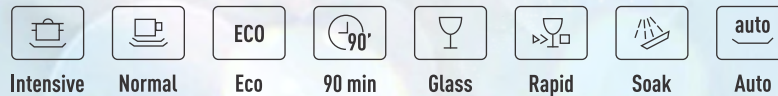
- 14 Place capacity
- BK Finish
- Dual Zone Wash
- Height adjustable upper basket (after loaded) and foldable Racks
- Multifunction Three Layer Cutlery Basket
- Power Memory
- Child safety Lock
- Power wash/Extra drying/Express
- LED Display
- Natural Drying
- 1-24 hours Delay
- Electronic Push button control
- Salt and rinse aid indicators
- Electronic Aqua Stop

**SPECIFICATION:**

- A+++/A/A (energy, cleaning, drying)
- 8 Washing Programs: Intensive, Normal, Eco, 90min, Glass, Rapid, Soak (Pre-Wash) and Auto Wash
- Product Dimension (H\*W\*D mm): 845\*598\*600



**Washing Programs:**



**Options:**



**COMPREHENSIVE RUST THROUGH**

\*Terms & Conditions apply  
\*Please refer to the warranty card for further details.



**FFSD 8PR 14S**

FUN Code: 117.0534.678



**FEATURES:**

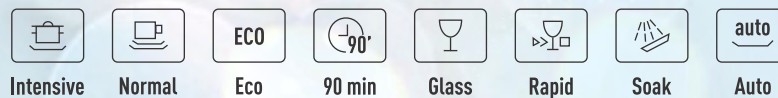
- 14 Place capacity
- SS Finish
- Dual Zone Wash
- Height adjustable upper basket (after loaded) and foldable Racks
- Multifunction Three Layer Cutlery Basket
- Power Memory
- Child safety Lock
- Power wash/Extra drying/Express
- LED Display
- Natural Drying
- 1-24 hours Delay
- Electronic Push button control
- Salt and rinse aid indicators
- Electronic Aqua Stop

**SPECIFICATION:**

- A+++/A/A (energy, cleaning, drying)
- 8 Washing Programs: Intensive, Normal, Eco, 90min, Glass, Rapid, Soak (Pre-Wash) and Auto Wash
- Product Dimension (H\*W\*D mm): 845\*598\*600



**Washing Programs:**



**Options:**



**COMPREHENSIVE RUST THROUGH**

\*Terms & Conditions apply  
\*Please refer to the warranty card for further details.

**FFSD 6PR 12S NEO BLACK**

FUN Code: 117.0626.341



**FEATURES:**

- 12 Place capacity
- Black Finish
- Half load
- Height adjustable upper rack and foldable racks
- Power Memory
- Electronic Push button control
- Display
- Natural Drying
- 1-24 hours Delay
- Salt and rinse aid indicators
- Self Clean
- Electronic Aqua Stop

**SPECIFICATION:**

- A++/A/A (energy, cleaning, drying)
- 6 Washing Programs: Intensive, Normal, Eco, 90min, Glass and Rapid.
- Product Dimension (H\*W\*D mm): 845\*598\*600



Capacity  
(Place Settings)



Delay Start



Half Load



Energy Save



Extra Drying



**Washing Programs:**



Intensive



Normal



Eco



90 min



Glass



Rapid



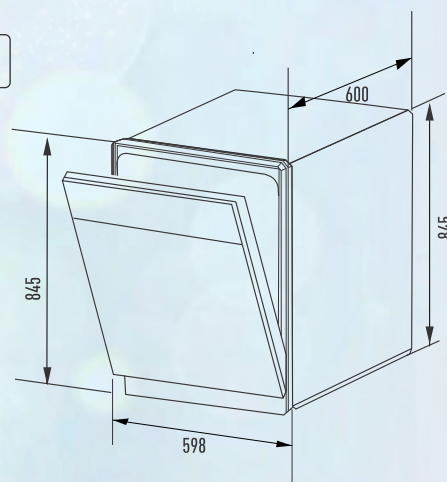
COMPREHENSIVE



RUST THROUGH

\*Terms & Conditions apply

\*Please refer to the warranty card for further details.



**FFSD 6PR 12S NEO WHITE**

FUN Code: 117.0626.343



**FEATURES:**

- 12 Place capacity
- White Finish
- Half load
- Height adjustable upper rack and foldable racks
- Power Memory
- Electronic Push button control
- Display
- Natural Drying
- 1-24 hours Delay
- Salt and rinse aid indicators
- Self Clean
- Electronic Aqua Stop

**SPECIFICATION:**

- A++/A/A (energy, cleaning, drying)
- 6 Washing Programs: Intensive, Normal, Eco, 90min, Glass and Rapid.
- Product Dimension (H\*W\*D mm): 845\*598\*600



Capacity  
(Place Settings)



Delay Start



Half Load



Energy Save



Extra Drying



**Washing Programs:**



Intensive



Normal



Eco



90 min



Glass



Rapid



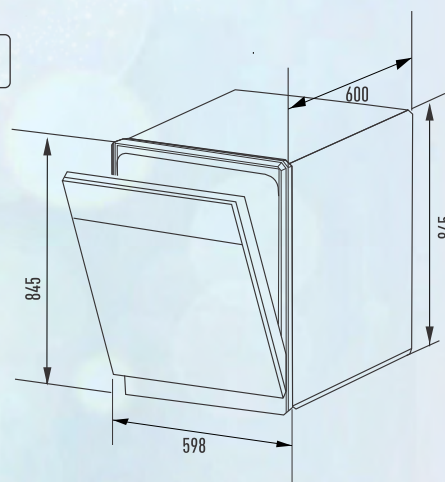
COMPREHENSIVE



RUST THROUGH

\*Terms & Conditions apply

\*Please refer to the warranty card for further details.



**FFSD 6PR 12S NEO (inox Finish)**

FUN Code: 117.0608.169



**FEATURES:**

- 12 Place capacity
- Inox Finish
- Half load
- Height adjustable upper rack and foldable racks
- Power Memory
- Electronic Push button control
- Display
- Natural Drying
- 1-24 hours Delay
- Salt and rinse aid indicators
- Self Clean
- Electronic Aqua Stop

**SPECIFICATION:**

- A++/A/A (energy, cleaning, drying)
- 6 Washing Programs: Intensive, Normal, Eco, 90min, Glass and Rapid.
- Product Dimension (H\*W\*D mm): 845\*598\*600



Capacity  
(Place Settings)



Delay Start



Half Load



Energy Save



Extra Drying



**Washing Programs:**



Intensive



Normal



Eco



90 min



Glass



Rapid



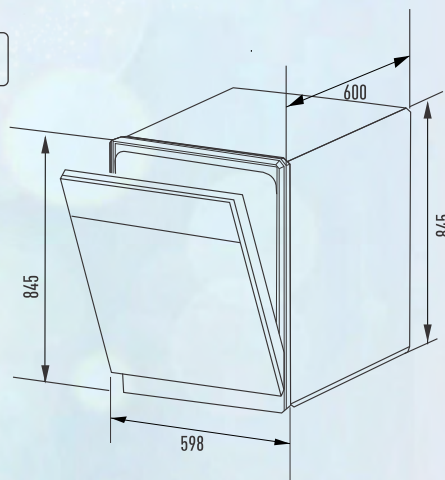
COMPREHENSIVE



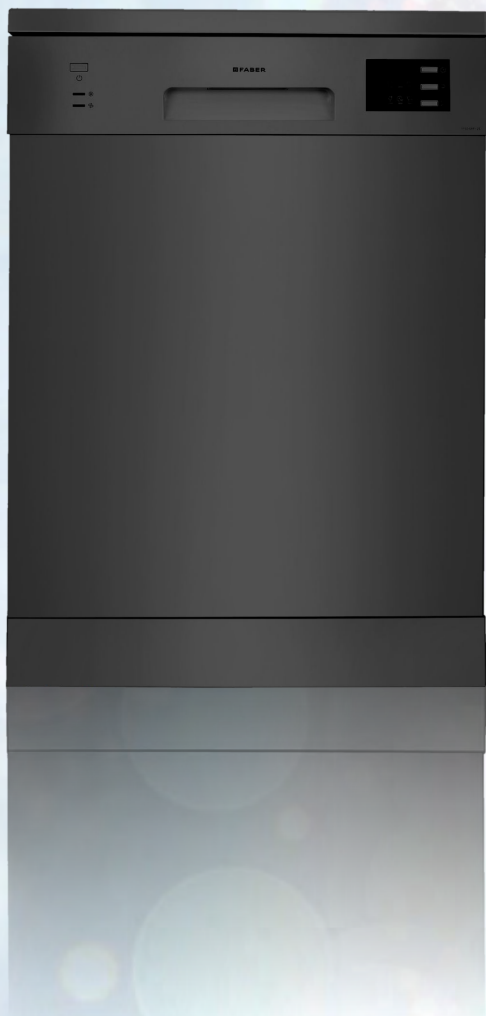
RUST THROUGH

\*Terms & Conditions apply

\*Please refer to the warranty card for further details.



**FFSD 6PR 12S BK**  
FUN Code: 117.0623.122



**FEATURES:**

- 12 Place capacity
- Black Finish
- Half load
- Height adjustable upper rack and foldable racks
- Power Memory
- Electronic Push button control
- Display
- Natural Drying
- 1-24 hours Delay
- Salt and rinse aid indicators
- Electronic Aqua Stop

**SPECIFICATION:**

- A++/A/A (energy, cleaning, drying)
- 6 Washing Programs: Intensive, Normal, Eco, 90min, Glass and Rapid.
- Product Dimension (H\*W\*D mm): 845\*598\*600



Capacity  
(Place Settings)



Delay Start



Half Load



Energy Save



**Washing Programs:**



Intensive



Normal



Eco



90 min



Glass



Rapid



**COMPREHENSIVE**



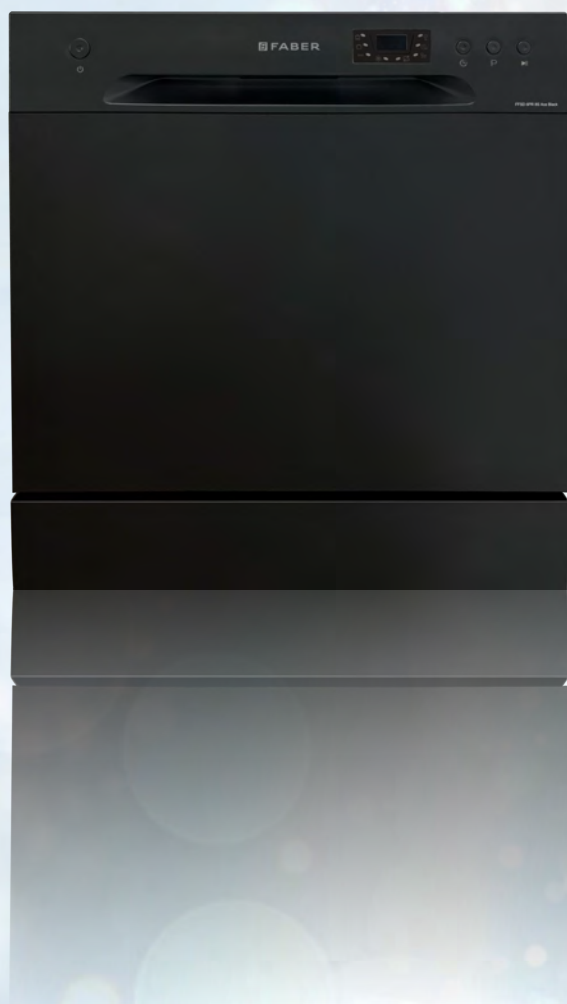
**RUST THROUGH**

\*Terms & Conditions apply

\*Please refer to the warranty card for further details.

**FFSD 6PR 8S Ace Black**

FUN Code: 117.0631.600



**FEATURES:**

- 12 Place capacity
- Black Finish
- Half load
- Height adjustable upper rack and foldable racks
- Power Memory
- Electronic Push button control
- LED Display
- Natural Drying
- 1-24 hours Delay
- Salt and rinse aid indicators
- Electronic Aqua Stop

**SPECIFICATION:**

- A+/A/A (energy, cleaning, drying)
- 6 Washing Programs: Intensive, Normal, Eco, 90min, Glass and Rapid.
- Product Dim. (H X W X D in mm) : 595\*550\*500
- Carcass Dim. (H X W X D in mm) : 662\*605\*555



Capacity  
(Place Settings)



Third Layer  
(Cutlery Basket)



Delay Start



Noise Level



Energy Save



**Washing Programs:**



Intensive



Normal



Eco



90 min



Glass



Rapid



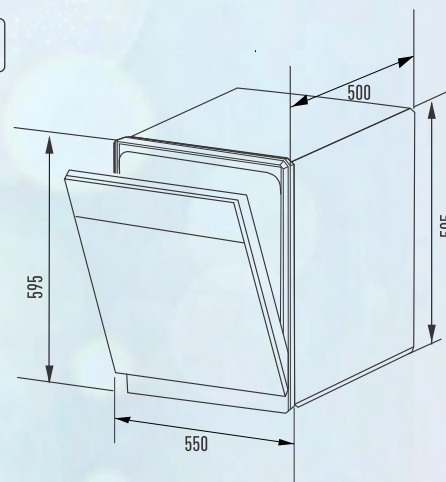
COMPREHENSIVE



RUST THROUGH

\*Terms & Conditions apply

\*Please refer to the warranty card for further details.



**FFSD 6PR 8S Ace White**

FUN Code: 117.0631.714



**FEATURES:**

- 12 Place capacity
- White Finish
- Half load
- Height adjustable upper rack and foldable racks
- Power Memory
- Electronic Push button control
- LED Display
- Natural Drying
- 1-24 hours Delay
- Salt and rinse aid indicators
- Electronic Aqua Stop

**SPECIFICATION:**

- A+/A/A (energy, cleaning, drying)
- 6 Washing Programs: Intensive, Normal, Eco, 90min, Glass and Rapid.
- Product Dim. (H X W X D in mm) : 595\*550\*500
- Carcass Dim. (H X W X D in mm) : 662\*605\*555



Capacity  
(Place Settings)



Third Layer  
(Cutlery Basket)



Delay Start



44dBA



Energy Save



**Washing Programs:**



Intensive



Normal



Eco



90 min



Glass



Rapid



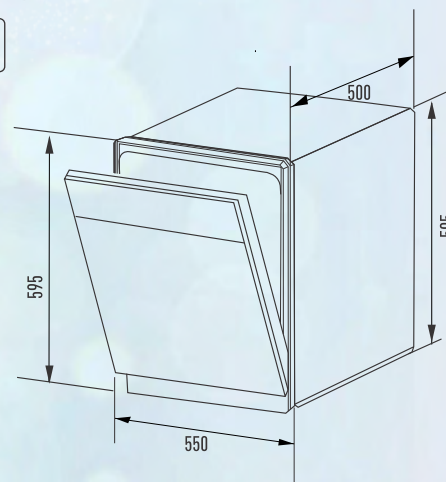
COMPREHENSIVE



RUST THROUGH

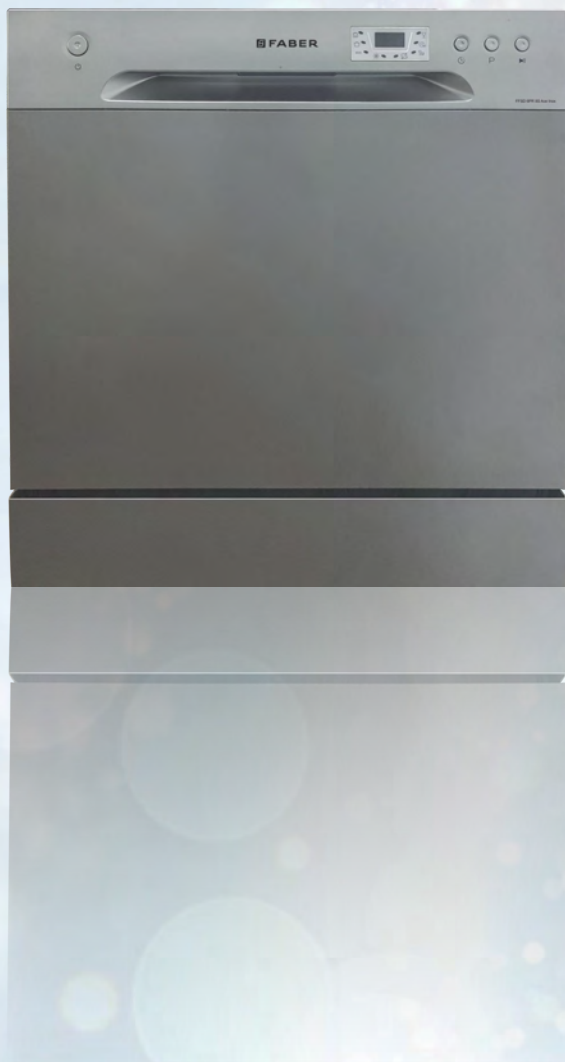
\*Terms & Conditions apply

\*Please refer to the warranty card for further details.



**FFSD 6PR 8S Ace Inox**

FUN Code: 117.0631.594



**FEATURES:**

- 12 Place capacity
- Inox Finish
- Half load
- Height adjustable upper rack and foldable racks
- Power Memory
- Electronic Push button control
- LED Display
- Natural Drying
- 1-24 hours Delay
- Salt and rinse aid indicators
- Electronic Aqua Stop

**SPECIFICATION:**

- A+/A/A (energy, cleaning, drying)
- 6 Washing Programs: Intensive, Normal, Eco, 90min, Glass and Rapid.
- Product Dim. (H X W X D in mm) : 595\*550\*500
- Carcass Dim. (H X W X D in mm) : 662\*605\*555



Capacity  
(Place Settings)



Third Layer  
(Cutlery Basket)



Delay Start



Noise Level



Energy Save



**Washing Programs:**



Intensive



Normal



Eco



90 min



Glass



Rapid



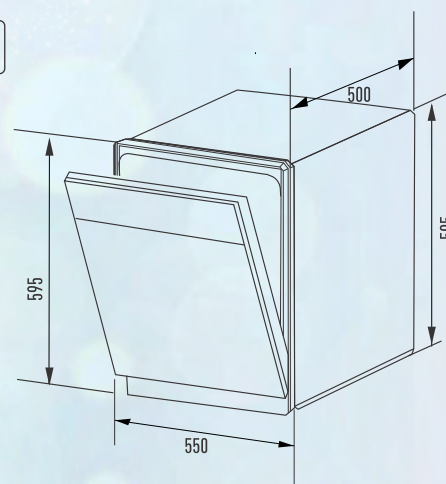
COMPREHENSIVE



RUST THROUGH

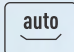
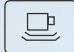




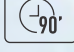

\*Terms & Conditions apply

\*Please refer to the warranty card for further details.


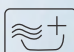
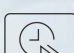




## Washing Programs:

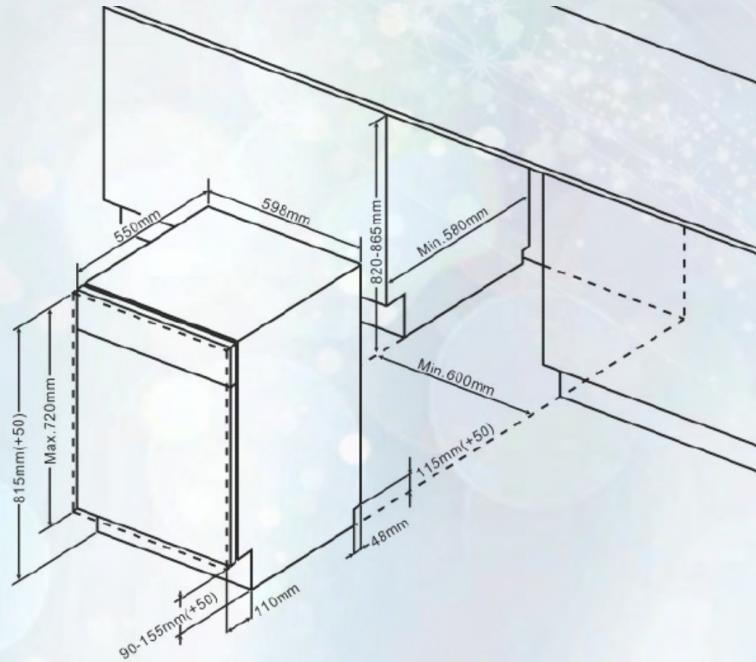
-  **Auto:** Automatically determine the water and cleaning time needed.
-  **Normal:** Everyday dish cleaning makes easy with normal wash.
-  **Eco:** The most efficient program in terms of combined energy and water consumption to clean normally soiled kitchenware.
-  **Heavy / Intensive:** The program for heavy soiled or dried-on stuff kitchenware.
-  **Rapid:** A shorter program for quick wash of lightly soiled loads.
-  **Soak:** Cold pre-wash only to rinse away the food residuals on the pans and dishes awaiting completion of the load.
-  **90 min:** The program for normally soiled kitchenware with improved cleaning and drying results within 90 min.
-  **Glass/ Delicate:** The program ideal for cleaning glassware.

## Options:

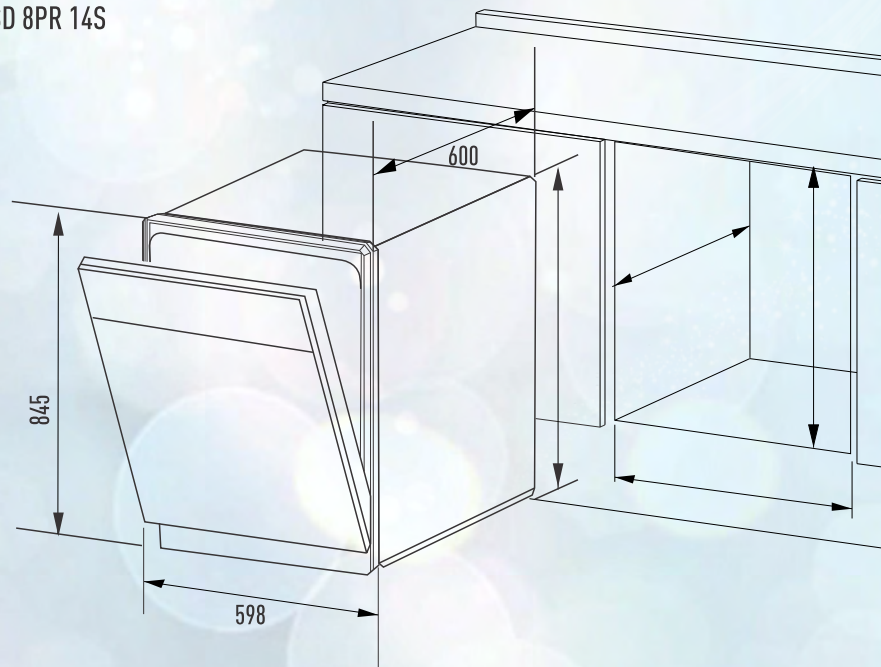
-  **Power Wash:** Increase the washing temperature to as high as 69°C and the number of rinsing cycles for the purpose of strong washing.
-  **Extra Drying:** Enhance the drying performance through raising the drying temperature.
-  **Express:** Shorten the time of the washing cycle through increased washing temperature to realize the purpose of rapid washing.

## Installation Daigram:

FBID 8PR 14S



FSID 8PR 14S/FFSD 8PR 14S





**FABER**  
AIR MATTERS

**FRANKE FABER INDIA PVT. LTD.**

Regd. Office/ Factory: 1086/1/2, Sanaswadi, Nagar Road,  
Tal Shirur, Pune 412208, Maharashtra, India

Toll Free Helpline: 1800 209 3484

email: [ks-customer@franke.com](mailto:ks-customer@franke.com), website: [www.faberindia.com](http://www.faberindia.com)

Follow us on: [f /FaberIndia](https://www.facebook.com/FaberIndia) [t /faberindia](https://www.twitter.com/faberindia) [You Tube /FaberSpaIndia](https://www.youtube.com/FaberSpaIndia)